

# OMEGA SERIES DIGITAL PWM BRUSHLESS SERVO AMPLIFIERS HIGH POWER AMPLIFIER MODEL NUMBERING

This section explains the model numbering system for Glentek's High Power Omega Series Digital servo amplifier. The model numbering system is designed so that you, our customer, will be able to quickly and accurately create the model number for the amplifier that best suits your needs. In order to accurately select a complete part number, please follow the steps shown below:

- 1) Utilize the model number key in conjunction with the tables at the beginning of each section to select the complete model number for your requirements. Note: A complete model number example follows the model number key and includes a full description of the individual codes which make up the complete model number.

The following tables are used to fill in the different parts of the model number.  
Refer to these when constructing a model number for your requirements.

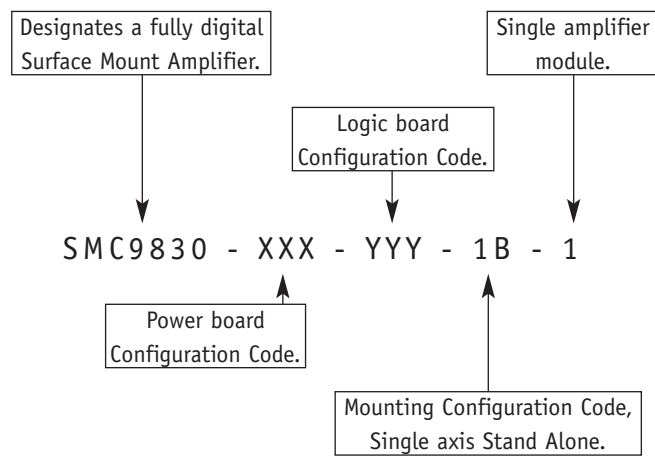
XXX	Power Input Voltage	Amplifier	Continuous Current (Amps)	Peak Current (Amps)
100	135-260VAC	SMC9830	30	60
		SMC9845	45	90
		SMC9875	75	150
		SMC98100	100	150
103	50-135VAC	SMC9830	30	60
		SMC9845	45	90
		SMC9875	75	150
		SMC98100	100	150

YYY	Logic Board Description	Connector
000	Full Feature	DB9
006	Pulse Follower	DB9
008	2 phase Current Mode	DB9



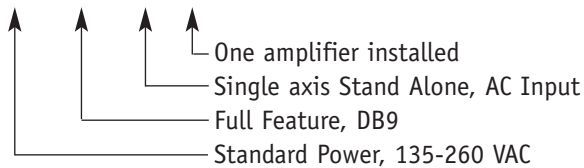
# OMEGA SERIES DIGITAL PWM BRUSHLESS SERVO AMPLIFIERS HIGH POWER AMPLIFIER MODEL NUMBERING

## *High Power Stand Alone Amplifier*



Example:

SMC9830 - 100 - 000 - 1B - 1



208 Standard Street • El Segundo, California 90245 USA  
(310) 322-3026 • (310) 322-7709 Fax • [www.glenetek.com](http://www.glenetek.com)