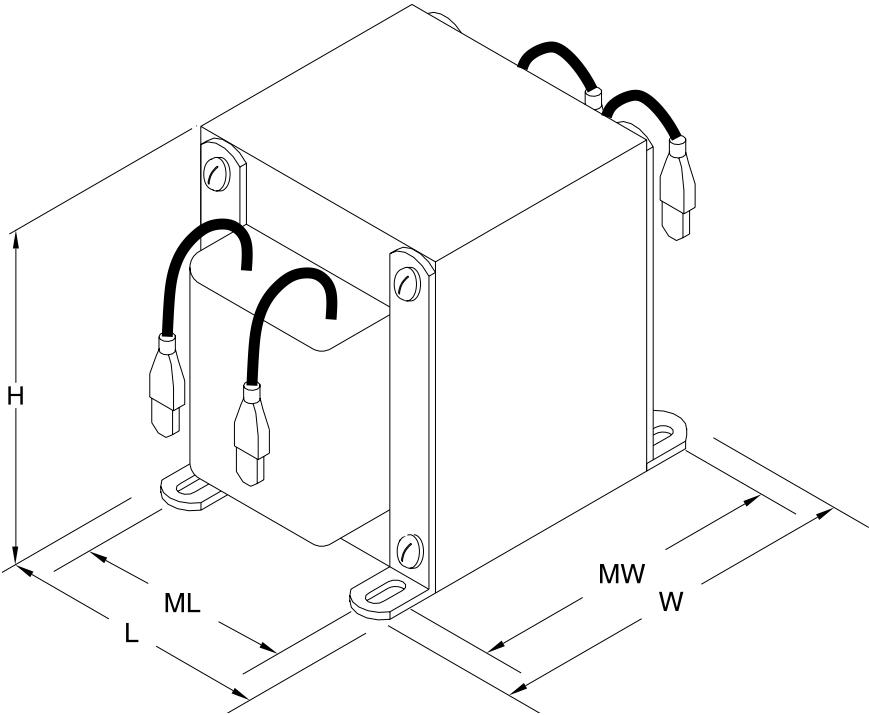


INDUCTOR RATINGS & MECHANICAL DIMENSIONS

<i>Inductor Ratings and Mechanical Dimensions</i>								
Model Number	Inductance (mHY)	Current Amps (RMS)	Dimensions in Inches (mm)					Weight Lb (kg)
			L	W	H	ML	MW	
T328	2	15	3 (76)	2.6 (66)	3 (76)	2.5 (64)	2 (51)	2.2 (1.0)
T380A	2	35	3.75 (95)	2.9 (74)	3.4 (86)	3.12 (79)	2.3 (58)	4.3 (2.0)
T340	2	80	5.25 (133)	5.25 (133)	4.6 (117)	4.4 (112)	4.5 (114)	21.0 (9.5)
T380	2	45	3.75 (95)	4 (102)	3.4 (86)	3.12 (79)	3.4 (86)	7.8 (3.5)
T410C	1	100	6.3 (160)	6.2 (157)	5.4 (137)	5.3 (135)	5.1 (130)	34.0 (15.4)

Split Winding Inductors



Glentek, Inc.
 208 Standard Street • El Segundo, California 90245 USA
 (310) 322-3026 • (310) 322-7709 Fax • www.glentek.com