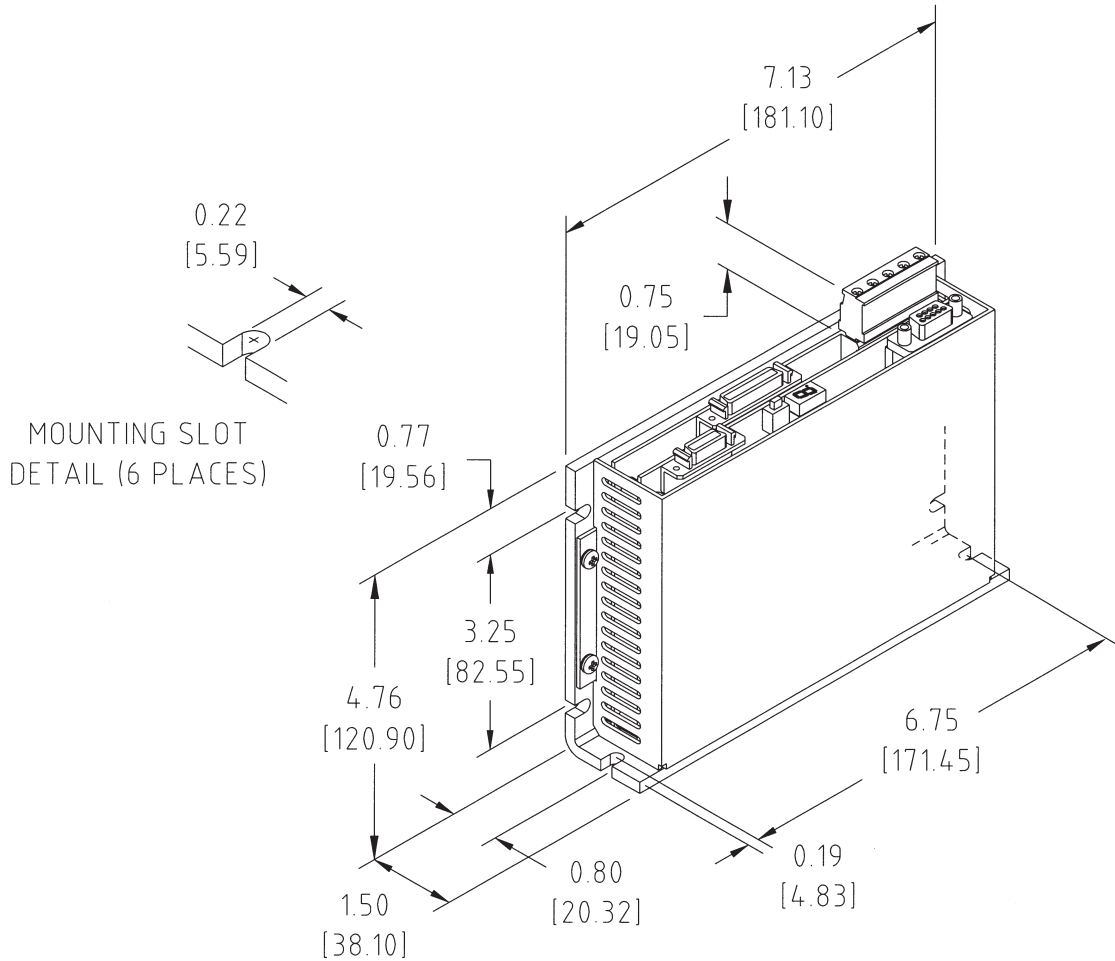


# OMEGA SERIES DIGITAL PWM BRUSHLESS SERVO AMPLIFIERS SMB9815 / SMC9815 MODULE MECHANICAL DIMENSIONS



208 Standard Street • El Segundo, California 90245 USA  
(310) 322-3026 • (310) 322-7709 Fax • [www.glentek.com](http://www.glentek.com)