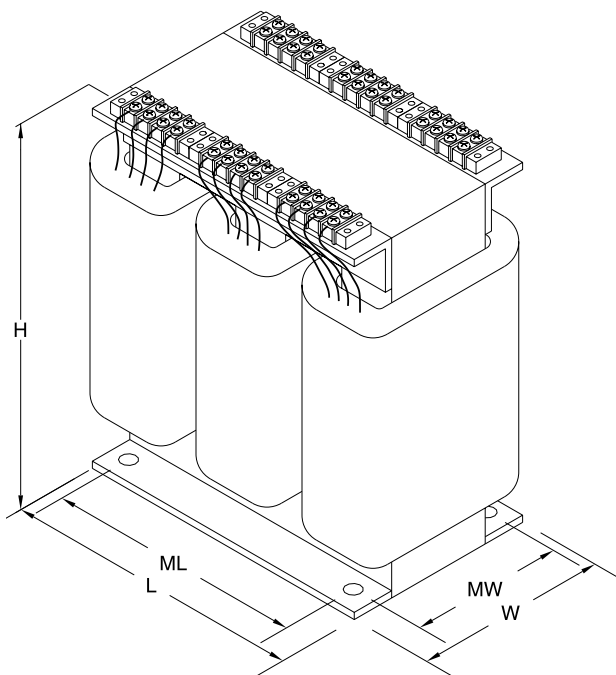


THREE PHASE TRANSFORMERS

<i>Three Phase Transformers</i>									
Model Number	KVA	Primary VAC	Secondary VAC	Dimensions in Inches (mm)					Weight Lb (kg)
				L	W	H	MW	ML	
T-378TB*	3	240/480	85,106,117	11 (279)	7 (178)	9 (229)	5.15 (131)	6 (152)	72 (33)
T-400TB*	3	240/480	63,74,85	11 (279)	7 (178)	9 (229)	5.15 (131)	6 (152)	72 (33)
T-524TB*	3	240/480	120,140,160	11 (279)	7 (178)	9 (229)	5.15 (131)	6 (152)	72 (33)
T-345TB*	6	240/480	85,106,117	14 (356)	8 (203)	11.5 (292)	5.15 (131)	9.5 (241)	115 (52)
T-409TB*	6	240/480	63,74,85	14 (356)	8 (203)	11.5 (292)	5.15 (131)	9.5 (241)	115 (52)
T-525TB*	6	240/480	120,140,160	14 (356)	8 (203)	11.5 (292)	5.15 (131)	9.5 (241)	115 (52)
T-419TB*	9	240/480	85,106,117	18 (457)	9 (229)	13.5 (343)	6.0 (152)	16 (406)	195 (88)
T-551TB*	9	240/480	120,140,160	18 (457)	9 (229)	13.5 (343)	6.0 (152)	16 (406)	195 (88)

*NOTE: A Single Phase 120VAC 5 amp max. winding is also provided on these transformers

Three Phase Transformers



Glentek, Inc.

208 Standard Street • El Segundo, California 90245 USA
 (310) 322-3026 • (310) 322-7709 Fax • www.glentek.com