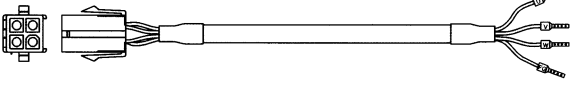
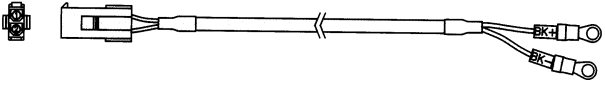


BRUSHLESS SERVO MOTORS

GMBM SERIES AMP MOTOR POWER & BRAKE CABLES

Model Number	Used On	Description
GC5100- $\Delta\Delta\Delta$	GMBM40030-8 GMBM40050-11 GMBM40100-13 GMBM60100-29 GMBM60200-30 GMBM60400-29 GMBM80400-29 GMBM80600-35 GMBM80300-34 GMBM80500-43 GMBM80800-36 GMBM801000-39 GMBM80550-45 GMBM80650-46	Motor side connector Drive side connector  1. Motor side connector 1) CAP (4 Position) : 172159-1 (Made by AMP) 2) SOCKET : 170362-1 (Made by AMP)

Model Number	Used On	Description
GC5120- $\Delta\Delta\Delta$	GMBM40 Series GMBM60 Series GMBM80 Series	Motor side connector Drive side connector  1. Motor side connector 1) CAP (2 Position) : 172157-1 (Made by AMP) 2) SOCKET : 170362-1 (Made by AMP)

Note 1) $\Delta\Delta\Delta$ - Designates Cable Length.

Cable length(m)	3	5	10	20
$\Delta\Delta\Delta$	003	005	010	020

Glentek, Inc.
 208 Standard Street • El Segundo, California 90245 USA
 (310) 322-3026 • (310) 322-7709 Fax • www.glentek.com