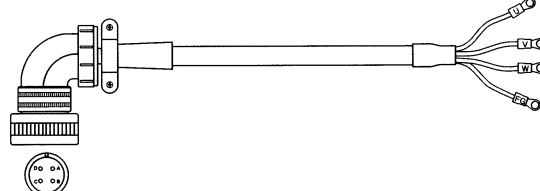
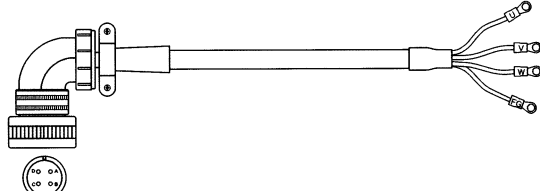


# BRUSHLESS SERVO MOTORS GMBM SERIES MS CONNECTOR MOTOR CABLES

Model Number	Used On	Description
GC5200- <b>AAA</b>	GMBM130 Series	<div style="display: flex; justify-content: space-between;"> <span>Motor side connector</span> <span>Drive side connector</span> </div>  <ol style="list-style-type: none"> <li>1. Motor side connector (MS: Military Standard)               <ol style="list-style-type: none"> <li>1) PLUG : MS3108B (MS3106B) 20-4S</li> </ol> </li> <li>2. Drive side connector (U,V,W,FG)               <ol style="list-style-type: none"> <li>1) Connection terminal : 2.5x4 (KET GP110721)</li> </ol> </li> </ol>

Model Number	Used On	Description
GC5220- <b>AAA</b>	GMBM180 Series	<div style="display: flex; justify-content: space-between;"> <span>Motor side connector</span> <span>Drive side connector</span> </div>  <ol style="list-style-type: none"> <li>1. Motor side connector (MS: Military Standard)               <ol style="list-style-type: none"> <li>1) PLUG : MS3108B (MS3106B) 22-22S</li> </ol> </li> <li>2. Drive side connector (U,V,W,FG)               <ol style="list-style-type: none"> <li>1) Connection terminal : 3.5x5 (KET GP110028)</li> </ol> </li> </ol>

Note 1) **AAA** - Designates Cable Length.

Cable length(m)	3	5	10	20
<b>AAA</b>	003	005	010	020

**Glentek, Inc.**  
 208 Standard Street • El Segundo, California 90245 USA  
 (310) 322-3026 • (310) 322-7709 Fax • [www.glentek.com](http://www.glentek.com)