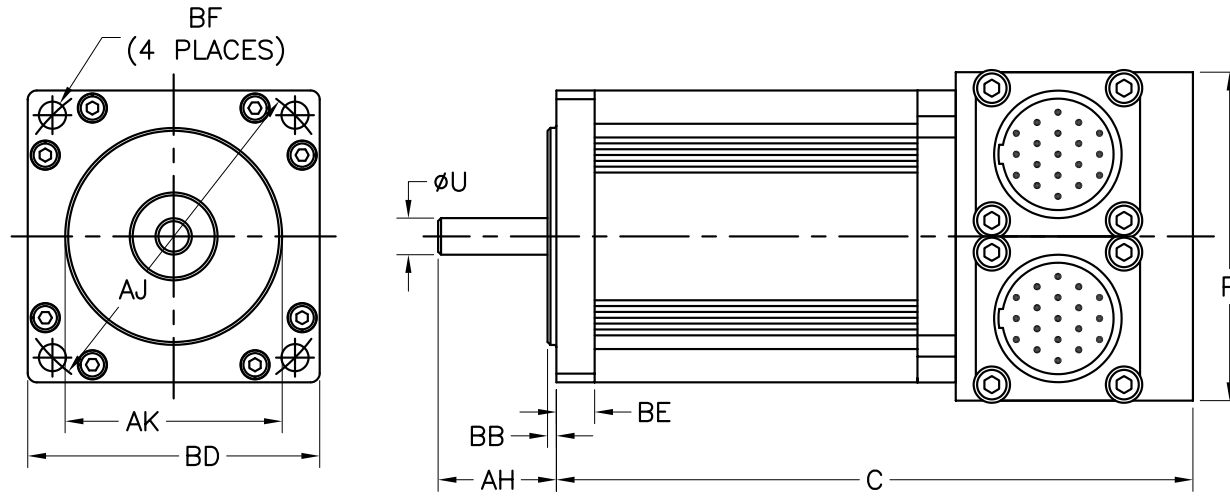


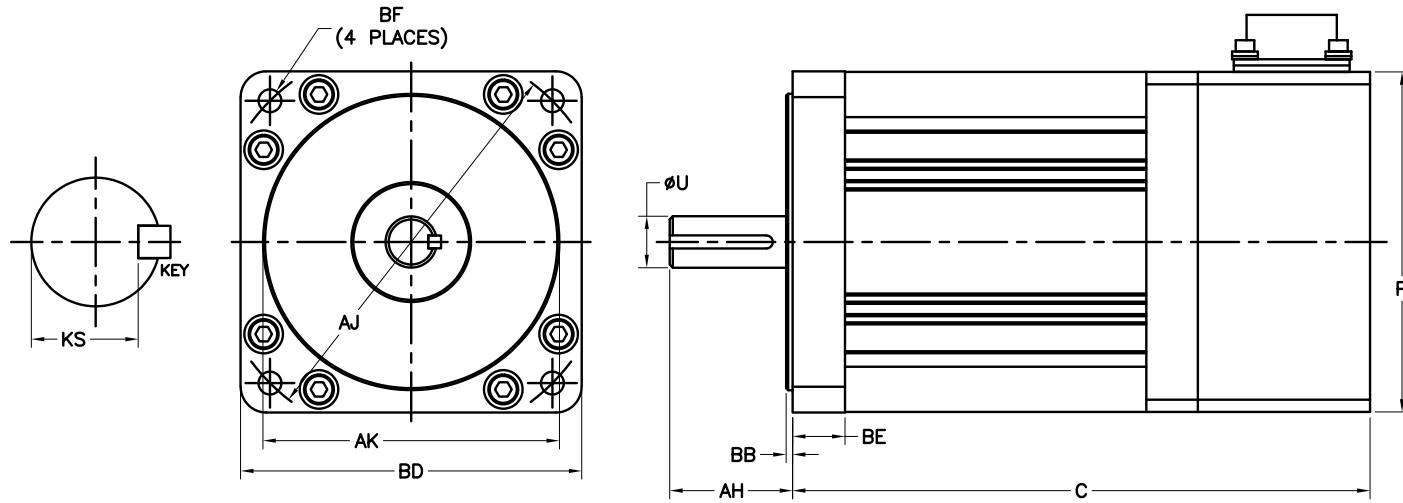
## GLENTEK GMB2000 BRUSHLESS SERVO MOTOR DIMENSIONS



	Model Number	Kg (lbs.)	C (max)	P (max)	Shaft				Flange/Face				Mounting Hole		
					AH	U	KEY	KS	AK	BB	BD	BE	AJ	BF Ø	Tap
<b>METRIC - mm (inches)</b>	<b>GMB2005-XXX-M</b>	<b>0.7</b> (1.5)	<b>99.6</b> (3.9)	<b>57.2</b> (2.25)	<b>30.00</b> (1.18)	<b>14.00</b> (0.551)	<b>M5 SQ.</b> <b>X 20</b>	<b>10.9 -</b> <b>11.0</b>	<b>50.00</b> (1.969)	<b>2.50</b> (0.10)	<b>60.0</b> (2.36)	<b>7.1</b> (0.28)	<b>70.00</b> (2.756)	<b>4.50</b> (0.177)	<b>THRU</b>
	<b>GMB2010-XXX-M</b>	<b>0.9</b> (2.0)	<b>110.7</b> (4.4)	<b>57.2</b> (2.25)	<b>30.00</b> (1.18)	<b>14.00</b> (0.551)	<b>M5 SQ.</b> <b>X 20</b>	<b>10.9 -</b> <b>11.0</b>	<b>50.00</b> (1.969)	<b>2.50</b> (0.10)	<b>60.0</b> (2.36)	<b>7.1</b> (0.28)	<b>70.00</b> (2.756)	<b>4.50</b> (0.177)	<b>THRU</b>
	<b>GMB2015-XXX-M</b>	<b>1.1</b> (2.4)	<b>123.4</b> (4.9)	<b>57.2</b> (2.25)	<b>30.00</b> (1.18)	<b>14.00</b> (0.551)	<b>M5 SQ.</b> <b>X 20</b>	<b>10.9 -</b> <b>11.0</b>	<b>50.00</b> (1.969)	<b>2.50</b> (0.10)	<b>60.0</b> (2.36)	<b>7.1</b> (0.28)	<b>70.00</b> (2.756)	<b>4.50</b> (0.177)	<b>THRU</b>
	<b>GMB2020-XXX-M</b>	<b>1.4</b> (3.1)	<b>146.0</b> (5.7)	<b>57.2</b> (2.25)	<b>30.00</b> (1.18)	<b>14.00</b> (0.551)	<b>M5 SQ.</b> <b>X 20</b>	<b>10.9 -</b> <b>11.0</b>	<b>50.00</b> (1.969)	<b>2.50</b> (0.10)	<b>60.0</b> (2.36)	<b>7.1</b> (0.28)	<b>70.00</b> (2.756)	<b>4.50</b> (0.177)	<b>THRU</b>
<b>ENGLISH - inches (mm)</b>	<b>GMB2005-XXX-E</b>	<b>1.5</b> (0.7)	<b>3.92</b> (99.57)	<b>2.25</b> (57.2)	<b>0.81</b> (20.6)	<b>0.3750</b> (9.53)			<b>1.500</b> (38.10)	<b>0.06</b> (1.52)	<b>2.25</b> (57.15)	<b>0.26</b> (6.60)	<b>2.625</b> (66.68)	<b>0.200</b> (5.08)	<b>THRU</b>
	<b>GMB2010-XXX-E</b>	<b>2.0</b> (0.9)	<b>4.36</b> (110.74)	<b>2.25</b> (57.2)	<b>0.81</b> (20.6)	<b>0.3750</b> (9.53)			<b>1.500</b> (38.10)	<b>0.06</b> (1.52)	<b>2.25</b> (57.15)	<b>0.26</b> (6.60)	<b>2.625</b> (66.68)	<b>0.200</b> (5.08)	<b>THRU</b>
	<b>GMB2015-XXX-E</b>	<b>2.5</b> (1.1)	<b>4.86</b> (123.44)	<b>2.25</b> (57.2)	<b>0.81</b> (20.6)	<b>0.3750</b> (9.53)			<b>1.500</b> (38.10)	<b>0.06</b> (1.52)	<b>2.25</b> (57.15)	<b>0.26</b> (6.60)	<b>2.625</b> (66.68)	<b>0.200</b> (5.08)	<b>THRU</b>
	<b>GMB2020-XXX-E</b>	<b>3.1</b> (1.4)	<b>5.75</b> (146.05)	<b>2.25</b> (57.2)	<b>0.81</b> (20.6)	<b>0.3750</b> (9.53)			<b>1.500</b> (38.10)	<b>0.06</b> (1.52)	<b>2.25</b> (57.15)	<b>0.26</b> (6.60)	<b>2.625</b> (66.68)	<b>0.200</b> (5.08)	<b>THRU</b>
	<b>NEMA 23</b>				<b>0.81</b> (20.6)	<b>0.2500</b> (6.35)			<b>1.500</b> (38.10)	<b>0.06</b> (1.52)	<b>2.25</b> (57.15)	<b>0.30</b> (7.62)	<b>2.625</b> (66.68)	<b>0.200</b> (5.08)	<b>THRU</b>

**NOTE:** Metric and English motors are different models with differing dimensions.

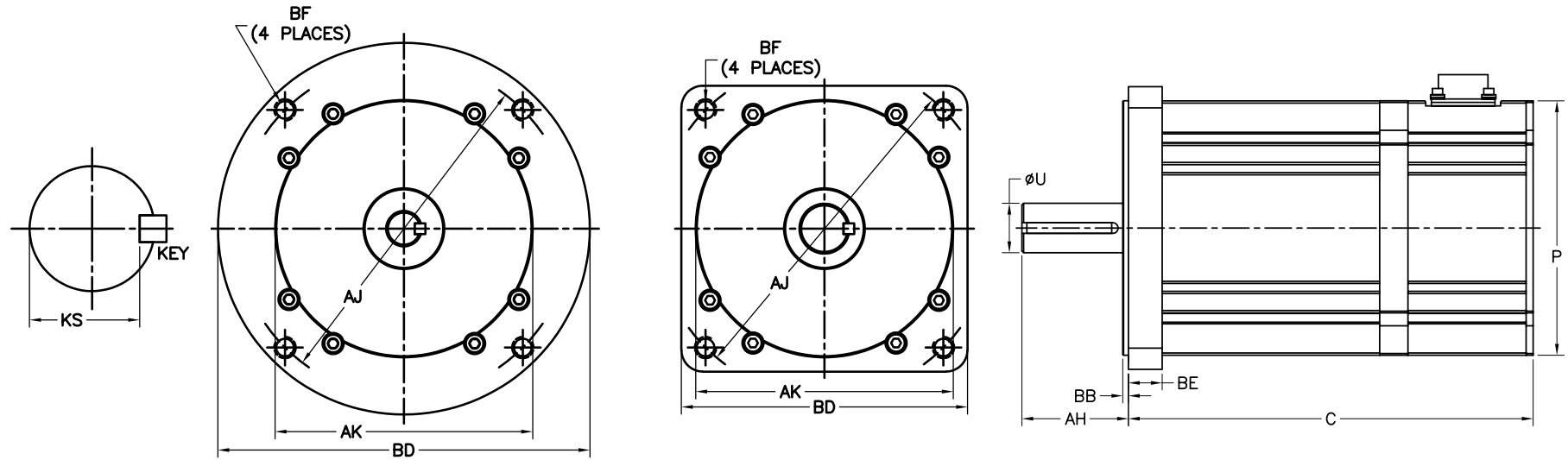
# GLENTEK GMB3500 BRUSHLESS SERVO MOTOR DIMENSIONS



	Model Number	Kg (lbs.)	C (max)	P (max)	Shaft				Flange/Face				Mounting Hole		
					AH	U	KEY	KS	AK	BB	BD	BE	AJ	BF Ø	Tap
<b>METRIC - mm</b> (inches)	<b>GMB3515-XXX-M</b>	<b>3.8</b> (8.4)	<b>183.0</b> (7.2)	<b>83.8</b> (3.30)	<b>30.00</b> (1.18)	<b>14.00</b> (0.551)	<b>M5 SQ.</b> <b>X 20</b>	<b>10.9 -</b> <b>11.0</b>	<b>80.00</b> (3.150)	<b>3.00</b> (0.12)	<b>89.00</b> (3.50)	<b>11.5</b> (0.45)	<b>100.00</b> (3.937)	<b>7.00</b> (0.276)	<b>THRU</b>
	<b>GMB3530-XXX-M</b>	<b>5.4</b> (11.9)	<b>222.4</b> (8.8)	<b>83.8</b> (3.30)	<b>30.00</b> (1.18)	<b>14.00</b> (0.551)	<b>M5 SQ.</b> <b>X 20</b>	<b>10.9 -</b> <b>11.0</b>	<b>80.00</b> (3.150)	<b>3.00</b> (0.12)	<b>89.00</b> (3.50)	<b>11.5</b> (0.45)	<b>100.00</b> (3.937)	<b>7.00</b> (0.276)	<b>THRU</b>
	<b>GMB3545-XXX-M</b>	<b>6.6</b> (14.5)	<b>261.5</b> (10.3)	<b>83.8</b> (3.30)	<b>30.00</b> (1.18)	<b>14.00</b> (0.551)	<b>M5 SQ.</b> <b>X 20</b>	<b>10.9 -</b> <b>11.0</b>	<b>80.00</b> (3.150)	<b>3.00</b> (0.12)	<b>89.00</b> (3.50)	<b>11.5</b> (0.45)	<b>100.00</b> (3.937)	<b>7.00</b> (0.276)	<b>THRU</b>
<b>ENGLISH - inches</b> (mm)	<b>GMB3515-XXX-E</b>	<b>8.4</b> (3.8)	<b>7.20</b> (182.88)	<b>3.30</b> (83.8)	<b>1.19</b> (30.2)	<b>0.4997</b> (12.69)	<b>.125 SQ.</b> <b>X 1.00</b>	<b>.420 -</b> <b>.430</b>	<b>2.877</b> (73.08)	<b>0.06</b> (1.52)	<b>3.31</b> (84.07)	<b>0.51</b> (12.95)	<b>3.875</b> (98.43)	<b>0.224</b> (5.69)	<b>THRU</b>
	<b>GMB3530-XXX-E</b>	<b>11.9</b> (5.4)	<b>8.75</b> (222.25)	<b>3.30</b> (83.8)	<b>1.19</b> (30.2)	<b>0.4997</b> (12.69)	<b>.125 SQ.</b> <b>X 1.00</b>	<b>.420 -</b> <b>.430</b>	<b>2.877</b> (73.08)	<b>0.06</b> (1.52)	<b>3.31</b> (84.07)	<b>0.51</b> (12.95)	<b>3.875</b> (98.43)	<b>0.224</b> (5.69)	<b>THRU</b>
	<b>GMB3545-XXX-E</b>	<b>14.5</b> (6.6)	<b>10.29</b> (261.37)	<b>3.30</b> (83.8)	<b>1.19</b> (30.2)	<b>0.4997</b> (12.69)	<b>.125 SQ.</b> <b>X 1.00</b>	<b>.420 -</b> <b>.430</b>	<b>2.877</b> (73.08)	<b>0.06</b> (1.52)	<b>3.31</b> (84.07)	<b>0.51</b> (12.95)	<b>3.875</b> (98.43)	<b>0.224</b> (5.69)	<b>THRU</b>
	<b>NEMA 34</b>				<b>1.19</b> (30.2)	<b>0.3750</b> (9.53)			<b>2.877</b> (73.08)	<b>0.06</b> (1.52)	<b>3.42</b> (86.87)	<b>0.51</b> (12.95)	<b>3.875</b> (98.43)	<b>0.224</b> (5.69)	<b>THRU</b>

**NOTE:** Metric and English motors are different models with differing dimensions.

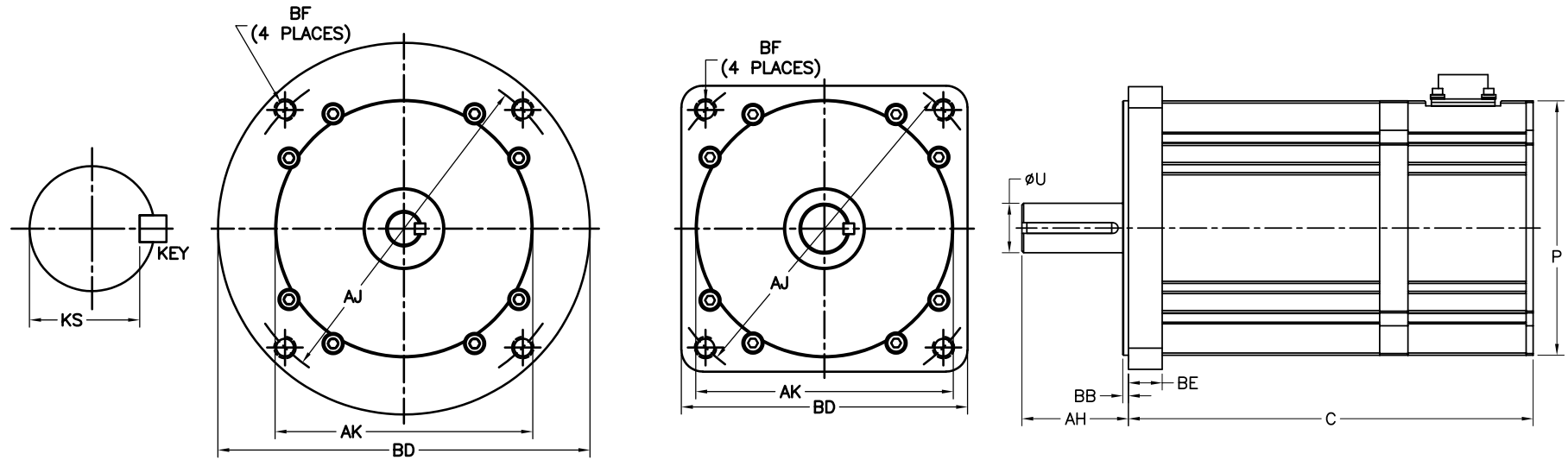
# GLENTEK GMBF4300 BRUSHLESS SERVO MOTOR DIMENSIONS



	Model Number	Kg (lbs.)	C (max)	P (max)	Shaft				Flange/Face				Mounting Hole		
					AH	U	KEY	KS	AK	BB	BD	BE	AJ	BF $\phi$	Tap
METRIC - mm (inches)	<b>GMBF4320-XXX-M</b>	<b>4.1</b> (9.0)	<b>201.7</b> (7.9)	<b>108.0</b> (4.25)	<b>50.00</b> (1.97)	<b>19.00</b> (0.748)	<b>M6 SQ.</b> <b>X 40</b>	<b>15.4 -</b> <b>15.5</b>	<b>110.00</b> (4.331)	<b>3.00</b> (0.12)	<b>114.30</b> (4.50)	<b>14.7</b> (0.58)	<b>130.00</b> (5.118)	<b>9.19</b> (0.362)	<b>THRU</b>
	<b>GMBF4340-XXX-M</b>	<b>6.3</b> (13.9)	<b>254.0</b> (10.0)	<b>108.0</b> (4.25)	<b>50.00</b> (1.97)	<b>19.00</b> (0.748)	<b>M6 SQ.</b> <b>X 40</b>	<b>15.4 -</b> <b>15.5</b>	<b>110.00</b> (4.331)	<b>3.00</b> (0.12)	<b>114.30</b> (4.50)	<b>14.7</b> (0.58)	<b>130.00</b> (5.118)	<b>9.19</b> (0.362)	<b>THRU</b>
	<b>GMBF4360-XXX-M</b>	<b>8.5</b> (18.7)	<b>306.3</b> (12.1)	<b>108.0</b> (4.25)	<b>50.00</b> (1.97)	<b>19.00</b> (0.748)	<b>M6 SQ.</b> <b>X 40</b>	<b>15.4 -</b> <b>15.5</b>	<b>110.00</b> (4.331)	<b>3.00</b> (0.12)	<b>114.30</b> (4.50)	<b>14.7</b> (0.58)	<b>130.00</b> (5.118)	<b>9.19</b> (0.362)	<b>THRU</b>
ENGLISH - inches (mm)	<b>GMBF4320-XXX-E</b>	<b>9.0</b> (4.1)	<b>7.94</b> (201.7)	<b>4.25</b> (108.0)	<b>1.88</b> (47.8)	<b>0.6250</b> (15.88)	<b>.188 SQ.</b> <b>X 1.50</b>	<b>.507 -</b> <b>.517</b>	<b>4.500</b> (114.30)	<b>0.10</b> (2.54)	<b>5.00</b> (127.0)	<b>0.60</b> (15.24)	<b>5.875</b> (149.23)		<b>3/8-16</b> <b>THRU</b>
	<b>GMBF4340-XXX-E</b>	<b>13.9</b> (6.3)	<b>10.00</b> (254.0)	<b>4.25</b> (108.0)	<b>1.88</b> (47.8)	<b>0.6250</b> (15.88)	<b>.188 SQ.</b> <b>X 1.50</b>	<b>.507 -</b> <b>.517</b>	<b>4.500</b> (114.30)	<b>0.10</b> (2.54)	<b>5.00</b> (127.0)	<b>0.60</b> (15.24)	<b>5.875</b> (149.23)		<b>3/8-16</b> <b>THRU</b>
	<b>GMBF4360-XXX-E</b>	<b>18.7</b> (8.5)	<b>12.06</b> (306.3)	<b>4.25</b> (108.0)	<b>1.88</b> (47.8)	<b>0.6250</b> (15.88)	<b>.188 SQ.</b> <b>X 1.50</b>	<b>.507 -</b> <b>.517</b>	<b>4.500</b> (114.30)	<b>0.10</b> (2.54)	<b>5.00</b> (127.0)	<b>0.60</b> (15.24)	<b>5.875</b> (149.23)		<b>3/8-16</b> <b>THRU</b>
	<b>NEMA 42</b>				<b>1.32</b> (33.5)	<b>0.6250</b> (15.88)	<b>.188 SQ.</b> <b>X 1.00</b>	<b>.507 -</b> <b>.517</b>	<b>2.188</b> (55.58)	<b>0.10</b> (2.54)	<b>4.50</b> (114.3)	<b>0.60</b> (15.24)	<b>4.950</b> (125.73)	<b>0.300</b> (7.62)	<b>THRU</b>
	<b>NEMA 56C</b>				<b>2.06</b> (52.3)	<b>0.6250</b> (15.88)	<b>.188 SQ.</b> <b>X 1.50</b>	<b>.507 -</b> <b>.517</b>	<b>4.500</b> (114.30)	<b>0.12</b> (3.05)	<b>6.50</b> (165.1)	<b>0.61</b> (15.49)	<b>5.875</b> (149.23)		<b>3/8-16</b> <b>THRU</b>

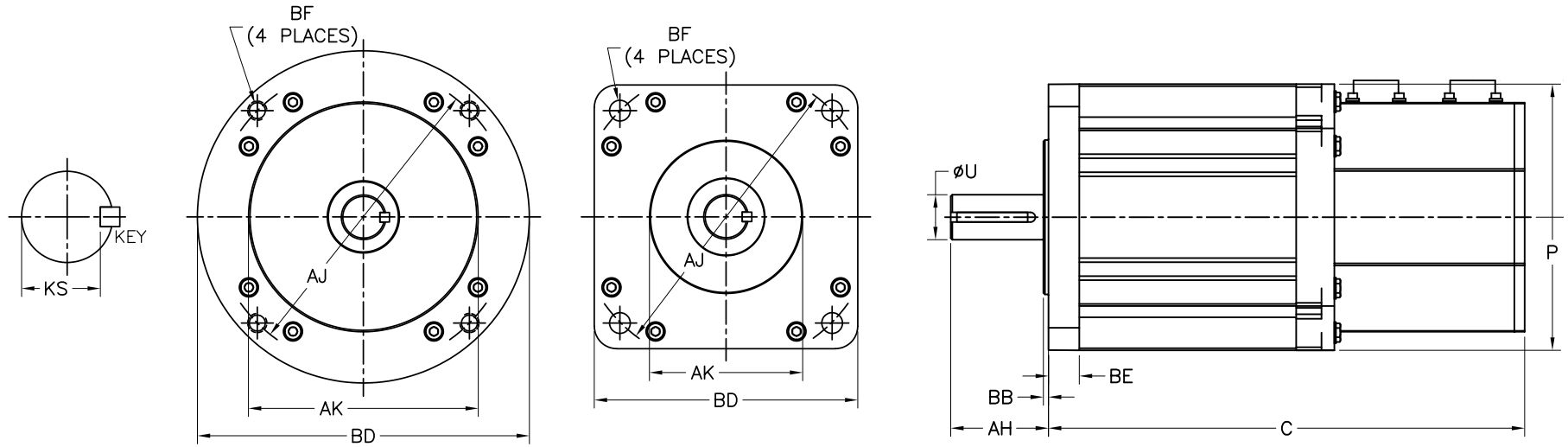
**NOTE:** Metric and English motors are different models with differing dimensions.

# GLENTEK GMB4500 BRUSHLESS SERVO MOTOR DIMENSIONS



	Model Number	Kg (lbs.)	C (max)	P (max)	Shaft				Flange/Face				Mounting Hole		
					AH	U	KEY	KS	AK	BB	BD	BE	AJ	BF Ø	Tap
<b>METRIC - mm (inches)</b>	<b>GMB4525-XXX-M</b>	<b>8.9</b> (19.6)	<b>218.3</b> (8.6)	<b>114.3</b> (4.50)	<b>50.00</b> (1.97)	<b>19.00</b> (0.748)	<b>M6 SQ.</b> <b>X 40</b>	<b>15.4 -</b> <b>15.5</b>	<b>110.00</b> (4.331)	<b>3.00</b> (0.12)	<b>114.30</b> (4.50)	<b>14.7</b> (0.58)	<b>130.00</b> (5.118)	<b>9.19</b> (0.362)	<b>THRU</b>
	<b>GMB4550-XXX-M</b>	<b>12.4</b> (27.3)	<b>280.5</b> (11.0)	<b>114.3</b> (4.50)	<b>50.00</b> (1.97)	<b>24.00</b> (0.945)	<b>M8 X M7</b> <b>X 38</b>	<b>19.8 -</b> <b>20.0</b>	<b>110.00</b> (4.331)	<b>3.00</b> (0.12)	<b>114.30</b> (4.50)	<b>14.7</b> (0.58)	<b>130.00</b> (5.118)	<b>9.19</b> (0.362)	<b>THRU</b>
	<b>GMB4560-XXX-M</b>	<b>14.0</b> (30.8)	<b>305.4</b> (12.0)	<b>114.3</b> (4.50)	<b>50.00</b> (1.97)	<b>24.00</b> (0.945)	<b>M8 X M7</b> <b>X 38</b>	<b>19.8 -</b> <b>20.0</b>	<b>110.00</b> (4.331)	<b>3.00</b> (0.12)	<b>114.30</b> (4.50)	<b>14.7</b> (0.58)	<b>130.00</b> (5.118)	<b>9.19</b> (0.362)	<b>THRU</b>
	<b>GMB4575-XXX-M</b>	<b>15.9</b> (35.0)	<b>345.3</b> (13.6)	<b>114.3</b> (4.50)	<b>50.00</b> (1.97)	<b>24.00</b> (0.945)	<b>M8 X M7</b> <b>X 38</b>	<b>19.8 -</b> <b>20.0</b>	<b>110.00</b> (4.331)	<b>3.00</b> (0.12)	<b>114.30</b> (4.50)	<b>14.7</b> (0.58)	<b>130.00</b> (5.118)	<b>9.19</b> (0.362)	<b>THRU</b>
<b>ENGLISH - inches (mm)</b>	<b>GMB4525-XXX-E</b>	<b>19.6</b> (8.9)	<b>8.59</b> (218.2)	<b>4.50</b> (114.3)	<b>1.88</b> (47.8)	<b>0.6250</b> (15.88)	<b>.188 SQ.</b> <b>X 1.50</b>	<b>.507 -</b> <b>.517</b>	<b>4.500</b> (114.30)	<b>0.100</b> (2.54)	<b>5.00</b> (127.0)	<b>0.60</b> (15.24)	<b>5.875</b> (149.23)		<b>3/8-16</b> <b>THRU</b>
	<b>GMB4550-XXX-E</b>	<b>27.3</b> (12.4)	<b>11.04</b> (280.4)	<b>4.50</b> (114.3)	<b>1.88</b> (47.8)	<b>0.8750</b> (22.23)	<b>.188 SQ.</b> <b>X 1.50</b>	<b>.761 -</b> <b>.771</b>	<b>4.500</b> (114.30)	<b>0.100</b> (2.54)	<b>5.00</b> (127.0)	<b>0.60</b> (15.24)	<b>5.875</b> (149.23)		<b>3/8-16</b> <b>THRU</b>
	<b>GMB4560-XXX-E</b>	<b>31.0</b> (14.1)	<b>12.02</b> (305.3)	<b>4.50</b> (114.3)	<b>1.88</b> (47.8)	<b>0.8750</b> (22.23)	<b>.188 SQ.</b> <b>X 1.50</b>	<b>.761 -</b> <b>.771</b>	<b>4.500</b> (114.30)	<b>0.100</b> (2.54)	<b>5.00</b> (127.0)	<b>0.60</b> (15.24)	<b>5.875</b> (149.23)		<b>3/8-16</b> <b>THRU</b>
	<b>GMB4575-XXX-E</b>	<b>35.0</b> (15.9)	<b>13.59</b> (345.2)	<b>4.50</b> (114.3)	<b>1.88</b> (47.8)	<b>0.8750</b> (22.23)	<b>.188 SQ.</b> <b>X 1.50</b>	<b>.761 -</b> <b>.771</b>	<b>4.500</b> (114.30)	<b>0.100</b> (2.54)	<b>5.00</b> (127.0)	<b>0.60</b> (15.24)	<b>5.875</b> (149.23)		<b>3/8-16</b> <b>THRU</b>
	<b>NEMA 42</b>				<b>1.32</b> (33.5)	<b>0.6250</b> (15.88)	<b>.188 SQ.</b> <b>X 1.50</b>	<b>.507 -</b> <b>.517</b>	<b>2.188</b> (55.58)	<b>0.10</b> (2.54)	<b>4.50</b> (114.3)	<b>0.60</b> (15.24)	<b>4.950</b> (125.73)	<b>0.300</b> (7.62)	<b>THRU</b>
	<b>NEMA 56C</b>				<b>2.06</b> (52.3)	<b>0.6250</b> (15.88)	<b>.188 SQ.</b> <b>X 1.50</b>	<b>.507 -</b> <b>.517</b>	<b>4.500</b> (114.30)	<b>0.12</b> (3.05)	<b>6.50</b> (165.1)	<b>0.61</b> (15.49)	<b>5.875</b> (149.23)		<b>3/8-16</b> <b>THRU</b>

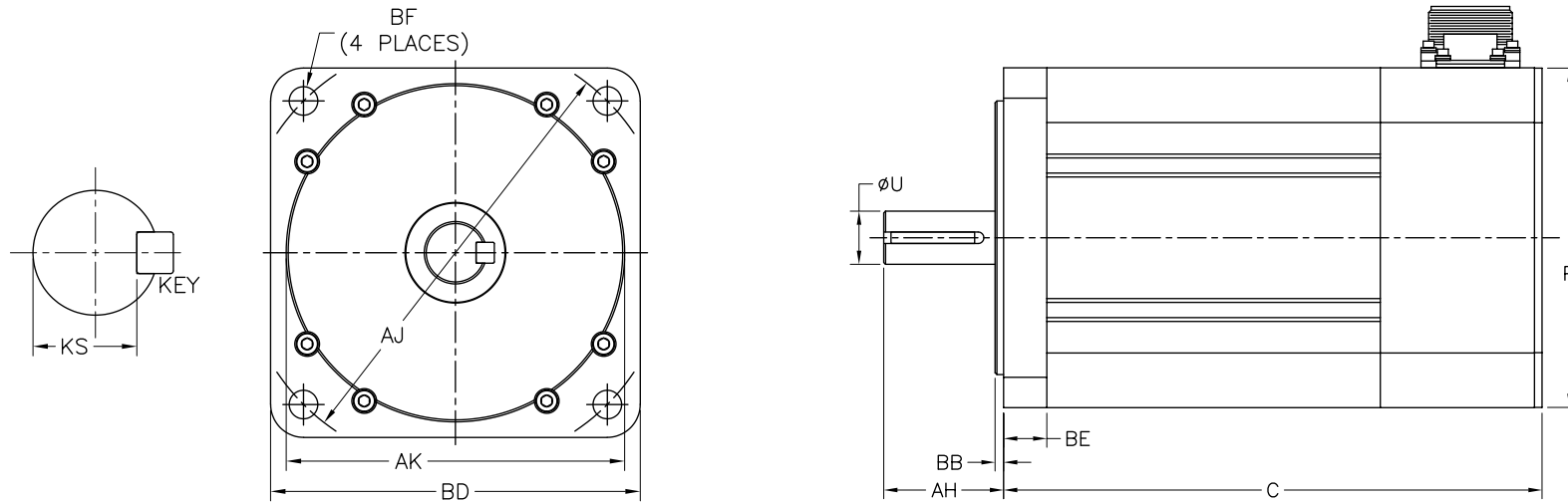
# GLENTEK GMBF5000 BRUSHLESS SERVO MOTOR DIMENSIONS



	Model Number	Kg (lbs.)	C (max)	P (max)	Shaft				Flange/Face				Mounting Hole		
					AH	U	KEY	KS	AK	BB	BD	BE	AJ	BF Ø	Tap
METRIC - mm (inches)	<b>GMBF5030-XXX-M</b>	<b>10.2</b> (22.4)	<b>294.4</b> (11.6)	<b>131.6</b> (5.18)	<b>50.00</b> (1.97)	<b>24.00</b> (0.945)	<b>M8 X M7</b> <b>X 38</b>	<b>19.8 -</b> <b>20.0</b>	<b>130.00</b> (5.118)	<b>3.60</b> (0.142)	<b>142.00</b> (5.59)	<b>15.4</b> (0.61)	<b>165.00</b> (6.496)	<b>11.00</b> (0.433)	<b>THRU</b>
	<b>GMBF5040-XXX-M</b>	<b>12.5</b> (27.5)	<b>303.8</b> (12.0)	<b>131.6</b> (5.18)	<b>50.00</b> (1.97)	<b>24.00</b> (0.945)	<b>M8 X M7</b> <b>X 38</b>	<b>19.8 -</b> <b>20.0</b>	<b>130.00</b> (5.118)	<b>3.60</b> (0.142)	<b>142.00</b> (5.59)	<b>15.4</b> (0.61)	<b>165.00</b> (6.496)	<b>11.00</b> (0.433)	<b>THRU</b>
	<b>GMBF5060-XXX-M</b>	<b>15.9</b> (35.0)	<b>370.8</b> (14.6)	<b>131.6</b> (5.18)	<b>50.00</b> (1.97)	<b>24.00</b> (0.945)	<b>M8 X M7</b> <b>X 38</b>	<b>19.8 -</b> <b>20.0</b>	<b>130.00</b> (5.118)	<b>3.60</b> (0.142)	<b>142.00</b> (5.59)	<b>15.4</b> (0.61)	<b>165.00</b> (6.496)	<b>11.00</b> (0.433)	<b>THRU</b>
ENGLISH - inches (mm)	<b>GMBF5030-XXX-E</b>	<b>22.5</b> (10.2)	<b>11.59</b> (294.4)	<b>5.18</b> (131.6)	<b>1.90</b> (48.3)	<b>0.8750</b> (22.23)	<b>.188 SQ.</b> <b>X 1.50</b>	<b>.761 -</b> <b>.771</b>	<b>3.000</b> (76.20)	<b>0.10</b> (2.54)	<b>5.18</b> (131.6)	<b>0.60</b> (15.24)	<b>5.875</b> (149.23)	<b>0.406</b> (10.31)	<b>THRU</b>
	<b>GMBF5040-XXX-E</b>	<b>27.5</b> (12.5)	<b>11.96</b> (303.8)	<b>5.18</b> (131.6)	<b>1.90</b> (48.3)	<b>0.8750</b> (22.23)	<b>.188 SQ.</b> <b>X 1.50</b>	<b>.761 -</b> <b>.771</b>	<b>3.000</b> (76.20)	<b>0.10</b> (2.54)	<b>5.18</b> (131.6)	<b>0.60</b> (15.24)	<b>5.875</b> (149.23)	<b>0.406</b> (10.31)	<b>THRU</b>
	<b>GMBF5060-XXX-E</b>	<b>35.0</b> (15.9)	<b>14.60</b> (370.8)	<b>5.18</b> (131.6)	<b>1.90</b> (48.3)	<b>0.8750</b> (22.23)	<b>.188 SQ.</b> <b>X 1.50</b>	<b>.761 -</b> <b>.771</b>	<b>3.000</b> (76.20)	<b>0.10</b> (2.54)	<b>5.18</b> (131.6)	<b>0.60</b> (15.24)	<b>5.875</b> (149.23)	<b>0.406</b> (10.31)	<b>THRU</b>
	<b>NEMA 56C</b>				<b>2.06</b> (52.3)	<b>0.6250</b> (15.88)	<b>.188 SQ.</b> <b>X 1.50</b>	<b>.507 -</b> <b>.517</b>	<b>4.500</b> (114.30)	<b>0.12</b> (3.05)	<b>6.50</b> (165.1)	<b>0.61</b> (15.49)	<b>5.875</b> (149.23)		<b>3/8-16</b> <b>THRU</b>

**NOTE:** Metric and English motors are different models with differing dimensions.

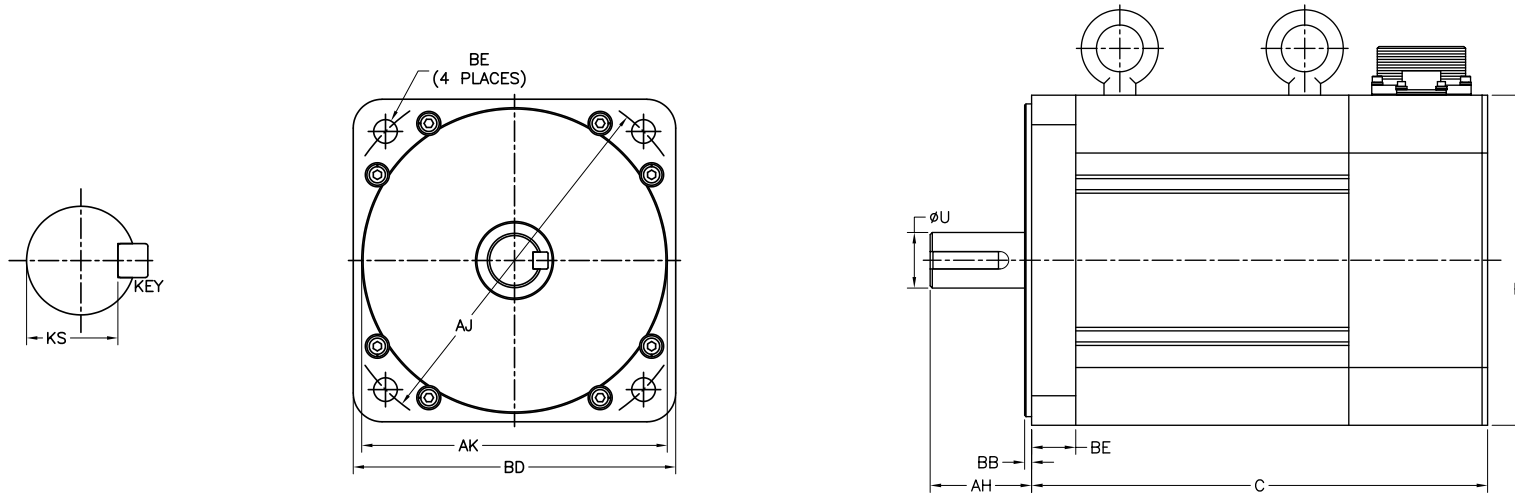
# GLENTEK GMB5600 BRUSHLESS SERVO MOTOR DIMENSIONS



	Model Number	Kg (lbs.)	C (max)	P (max)	Shaft				Flange/Face				Mounting Hole		
					AH	U	KEY	KS	AK	BB	BD	BE	AJ	BF Ø	Tap
<b>METRIC - mm (inches)</b>	<b>GMB5627-XXX-M</b>	<b>15.0</b> (33.0)	<b>255.0</b> (10.0)	<b>142.0</b> (5.59)	<b>50.00</b> (1.97)	<b>24.00</b> (0.945)	<b>M8 X M7</b> <b>X 38</b>	<b>19.8 -</b> <b>20.0</b>	<b>130.00</b> (5.118)	<b>3.60</b> (0.142)	<b>142.00</b> (5.59)	<b>20.1</b> (0.79)	<b>165.00</b> (6.496)	<b>11.00</b> (0.433)	<b>THRU</b>
	<b>GMB5654-XXX-M</b>	<b>22.7</b> (49.9)	<b>332.0</b> (13.1)	<b>142.0</b> (5.59)	<b>50.00</b> (1.97)	<b>24.00</b> (0.945)	<b>M8 X M7</b> <b>X 38</b>	<b>19.8 -</b> <b>20.0</b>	<b>130.00</b> (5.118)	<b>3.60</b> (0.142)	<b>142.00</b> (5.59)	<b>20.1</b> (0.79)	<b>165.00</b> (6.496)	<b>11.00</b> (0.433)	<b>THRU</b>
	<b>GMB5681-XXX-M</b>	<b>30.4</b> (66.9)	<b>408.0</b> (16.1)	<b>142.0</b> (5.59)	<b>50.00</b> (1.97)	<b>32.00</b> (1.260)	<b>M10XM8</b> <b>X 36</b>	<b>26.8 -</b> <b>27.0</b>	<b>130.00</b> (5.118)	<b>3.60</b> (0.142)	<b>142.00</b> (5.59)	<b>20.1</b> (0.79)	<b>165.00</b> (6.496)	<b>11.00</b> (0.433)	<b>THRU</b>
	<b>GMB56108-XXX-M</b>	<b>38.6</b> (84.9)	<b>484.1</b> (19.1)	<b>142.0</b> (5.59)	<b>50.00</b> (1.97)	<b>32.00</b> (1.260)	<b>M10XM8</b> <b>X 36</b>	<b>26.8 -</b> <b>27.0</b>	<b>130.00</b> (5.118)	<b>3.60</b> (0.142)	<b>142.00</b> (5.59)	<b>20.1</b> (0.79)	<b>165.00</b> (6.496)	<b>11.00</b> (0.433)	<b>THRU</b>
<b>ENGLISH - inches (mm)</b>	<b>GMB5627-XXX-E</b>	<b>33.0</b> (15.0)	<b>10.06</b> (255.5)	<b>5.59</b> (142.0)	<b>1.97</b> (50.0)	<b>0.875</b> (22.23)	<b>.188 SQ.</b> <b>X 1.50</b>	<b>.761 -</b> <b>.771</b>	<b>4.500</b> (114.30)	<b>0.140</b> (3.56)	<b>5.59</b> (142.0)	<b>0.81</b> (20.57)	<b>5.875</b> (149.23)		<b>3/8-16</b> <b>THRU</b>
	<b>GMB5654-XXX-E</b>	<b>50.0</b> (22.7)	<b>13.06</b> (331.7)	<b>5.59</b> (142.0)	<b>1.97</b> (50.0)	<b>0.875</b> (22.23)	<b>.188 SQ.</b> <b>X 1.50</b>	<b>.761 -</b> <b>.771</b>	<b>4.500</b> (114.30)	<b>0.140</b> (3.56)	<b>5.59</b> (142.0)	<b>0.81</b> (20.57)	<b>5.875</b> (149.23)		<b>3/8-16</b> <b>THRU</b>
	<b>GMB5681-XXX-E</b>	<b>67.0</b> (30.4)	<b>16.06</b> (407.9)	<b>5.59</b> (142.0)	<b>1.97</b> (50.0)	<b>1.260</b> (32.00)			<b>4.500</b> (114.30)	<b>0.140</b> (3.56)	<b>5.59</b> (142.0)	<b>0.81</b> (20.57)	<b>5.875</b> (149.23)		<b>3/8-16</b> <b>THRU</b>
	<b>GMB56108-XXX-E</b>	<b>85.0</b> (38.6)	<b>19.06</b> (484.1)	<b>5.59</b> (142.0)	<b>1.97</b> (50.0)	<b>1.260</b> (32.00)			<b>4.500</b> (114.30)	<b>0.140</b> (3.56)	<b>5.59</b> (142.0)	<b>0.81</b> (20.57)	<b>5.875</b> (149.23)		<b>3/8-16</b> <b>THRU</b>

**NOTE:** Metric and English motors are different models with differing dimensions.

# GLENTEK GMB7500 BRUSHLESS SERVO MOTOR DIMENSIONS



	Model Number	Kg (lbs.)	C (max)	P (max)	Shaft				Flange/Face				Mounting Hole		
					AH	U	KEY	KS	AK	BB	BD	BE	AJ	BF Ø	Tap
<b>METRIC - mm (inches)</b>	<b>GMB7530-XXX-M</b>	<b>30.0</b> (66.0)	<b>294.4</b> (11.6)	<b>190.0</b> (7.48)	<b>58.00</b> (2.28)	<b>32.00</b> (1.260)	<b>M10XM8</b> <b>X 36</b>	<b>26.8 -</b> <b>27.0</b>	<b>180.00</b> (7.087)	<b>4.00</b> (0.157)	<b>190.00</b> (7.48)	<b>24.3</b> (0.96)	<b>215.00</b> (8.465)	<b>14.00</b> (0.551)	<b>THRU</b>
	<b>GMB7560-XXX-M</b>	<b>44.0</b> (96.8)	<b>370.6</b> (14.6)	<b>190.0</b> (7.48)	<b>58.00</b> (2.28)	<b>32.00</b> (1.260)	<b>M10XM8</b> <b>X 36</b>	<b>26.8 -</b> <b>27.0</b>	<b>180.00</b> (7.087)	<b>4.00</b> (0.157)	<b>190.00</b> (7.48)	<b>24.3</b> (0.96)	<b>215.00</b> (8.465)	<b>14.00</b> (0.551)	<b>THRU</b>
	<b>GMB7590-XXX-M</b>	<b>59.0</b> (129.8)	<b>446.8</b> (17.6)	<b>190.0</b> (7.48)	<b>58.00</b> (2.28)	<b>48.00</b> (1.890)	<b>M14XM9</b> <b>X 40</b>	<b>42.3 -</b> <b>43.5</b>	<b>180.00</b> (7.087)	<b>4.00</b> (0.157)	<b>190.00</b> (7.48)	<b>24.3</b> (0.96)	<b>215.00</b> (8.465)	<b>14.00</b> (0.551)	<b>THRU</b>
	<b>GMB75120-XXX-M</b>	<b>73.0</b> (160.6)	<b>523.0</b> (20.6)	<b>190.0</b> (7.48)	<b>58.00</b> (2.28)	<b>48.00</b> (1.890)	<b>M14XM9</b> <b>X 40</b>	<b>42.3 -</b> <b>43.5</b>	<b>180.00</b> (7.087)	<b>4.00</b> (0.157)	<b>190.00</b> (7.48)	<b>24.3</b> (0.96)	<b>215.00</b> (8.465)	<b>14.00</b> (0.551)	<b>THRU</b>
<b>ENGLISH - inches (mm)</b>	<b>GMB7530-XXX-E</b>	<b>66.0</b> (29.9)	<b>11.59</b> (294.4)	<b>7.48</b> (190.0)	<b>2.28</b> (57.9)	<b>1.260</b> (32.00)			<b>7.087</b> (180.01)	<b>0.16</b> (4.06)	<b>7.48</b> (190.0)	<b>0.96</b> (24.38)	<b>8.464</b> (214.99)	<b>0.551</b> (14.00)	<b>THRU</b>
	<b>GMB7560-XXX-E</b>	<b>98.0</b> (44.5)	<b>14.59</b> (370.6)	<b>7.48</b> (190.0)	<b>2.28</b> (57.9)	<b>1.260</b> (32.00)			<b>7.087</b> (180.01)	<b>0.16</b> (4.06)	<b>7.48</b> (190.0)	<b>0.96</b> (24.38)	<b>8.464</b> (214.99)	<b>0.551</b> (14.00)	<b>THRU</b>
	<b>GMB7590-XXX-E</b>	<b>130.0</b> (59.0)	<b>17.59</b> (446.8)	<b>7.48</b> (190.0)	<b>2.28</b> (57.9)	<b>1.891</b> (48.02)			<b>7.087</b> (180.01)	<b>0.16</b> (4.06)	<b>7.48</b> (190.0)	<b>0.96</b> (24.38)	<b>8.464</b> (214.99)	<b>0.551</b> (14.00)	<b>THRU</b>
	<b>GMB75120-XXX-E</b>	<b>162.0</b> (73.5)	<b>20.59</b> (523.0)	<b>7.48</b> (190.0)	<b>2.28</b> (57.9)	<b>1.891</b> (48.02)			<b>7.087</b> (180.01)	<b>0.16</b> (4.06)	<b>7.48</b> (190.0)	<b>0.96</b> (24.38)	<b>8.464</b> (214.99)	<b>0.551</b> (14.00)	<b>THRU</b>

**NOTE:** Metric and English motors are different models with differing dimensions.