

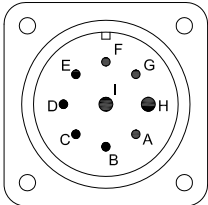
4

3

2

1

MOTOR MODEL NO.: GM4050-60		
CONFIG. CODE: GM4050-60-03005811-346A		
MOTOR CONSTANTS	UNITS	VALUE
CONTINUOUS STALL TORQUE	IN-LB	41.3
PEAK TORQUE	IN-LB	206.5
TORQUE CONSTANT (K _T)	IN-LB/AMPS	5.06
R _A *	OHMS	.90
INDUCTANCE (L _A)*	MHY	5.30
BEMF *	VOLTS/1000 RPM	60
MAXIMUM SPEED	RPM	2200
INERTIA (J _A)	IN-LB-SEC ²	.0198
TACHOMETER OUTPUT	VOLTS/1000 RPM	9.5
TACHOMETER RIPPLE	PERCENT	1
WEIGHT	LB/KG	-



97-3102A-20-16P(946)

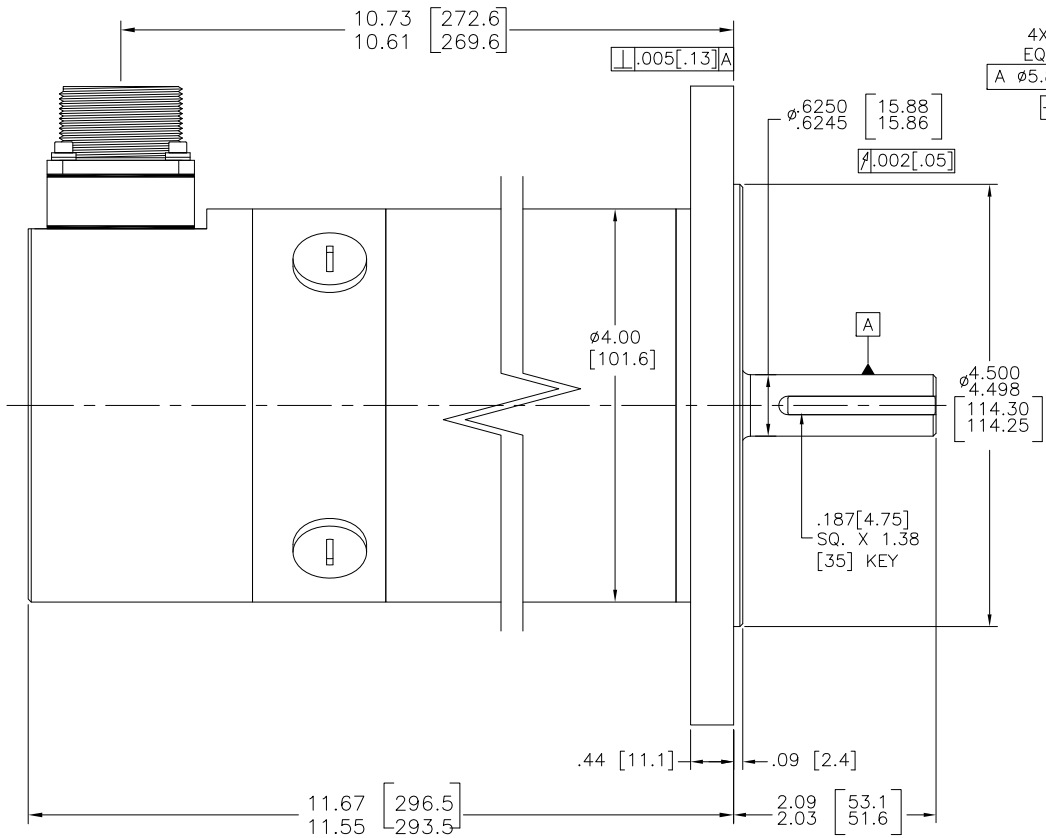
PIN	FUNCTION	PIN	FUNCTION
A	TACHOMETER + (CW)	F	N/C
B	TACHOMETER - (CW)	G	TACH. SHIELD
C	TEMP. SWITCH	H	MOTOR + (CW)
D	TEMP. SWITCH	I	MOTOR - (CW)
E	N/C		

** CONNECTOR INDEX FACING AWAY FROM SHAFT END.

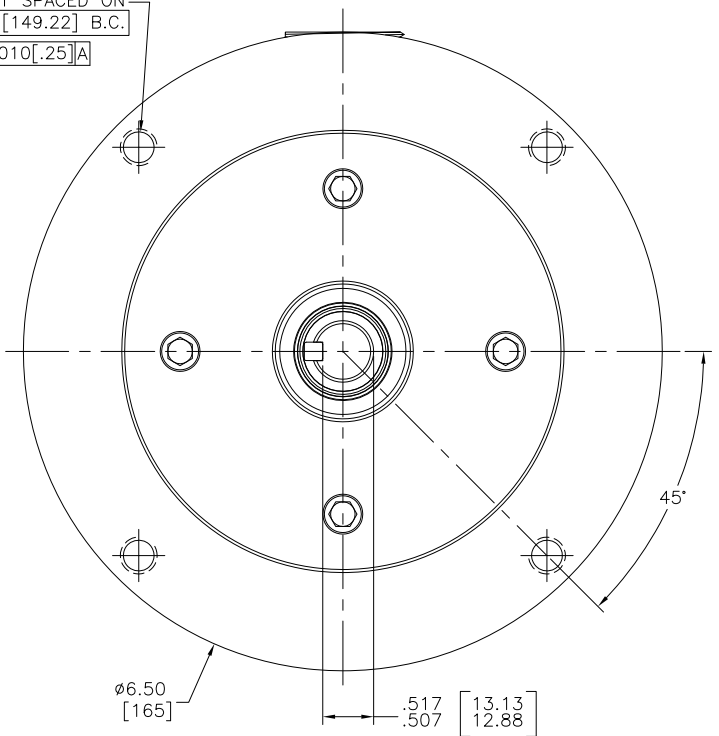
REVISION HISTORY						
ZONE	REV	DESCRIPTION	ECO	DATE	CHANGED	APPD
-	A	INITIAL DRAWING RELEASE	4984	4DEC20	K. HALE	R.D.M.

DC TACHOMETER'S DATA CHART	
SENSITIVITY	9.56 V/1000 RPM ±10%
	0.091 V/RAD/SEC ±10%
RIPPLE VOLTAGE	1% AVERAGE TO PK
DC RESISTANCE	112 OHMS ±12.5%
INDUCTANCE	26 mH
MIN. LOAD RESISTANCE	10000 OHMS
MAX. OPERATING SPEED	5000 RPM

* INDICATES ±10%



4X, 3/8-16UNC-2B
EQUALLY SPACED ON
A ϕ 5.875 [149.22] B.C.
 ϕ 0.010 [.25] A



4. SHAFT SEAL INSTALLED.
3. MOTOR FINISH: BLACK.
2. INCHES [MILLIMETERS].
1. WITH A POSITIVE VOLTAGE APPLIED TO PIN# H (RED MOTOR LEAD) WITH RESPECT TO PIN# I (BLACK MOTOR LEAD), THE MOTOR DRIVE SHAFT WILL TURN IN THE "CW" DIRECTION AS VIEWED FROM THE SHAFT END.

NOTES: UNLESS OTHERWISE SPECIFIED.

UNLESS OTHERWISE SPECIFIED DIMENSIONS ARE IN INCHES	APPROVAL	DATE
TOLERANCES ARE AS FOLLOWS: DECIMAL: .XX = ±0.01 .XXX = ±0.005 ANGULAR: < = ±0.5°	DWN BY: K. HALE	4DEC20
FINISH: 125 ✓ MAXIMUM	CHK BY: R.D.M.	4DEC20
	APP BY: R.D.M.	4DEC20

GLENTEK 208 Standard Street
El Segundo, CA 90245 USA
310.322.3026 FAX 310.322.7706
www.glentek.com

"Solutions for Motion Control"

DRAWING TITLE
INSTALLATION DRAWING

SIZE	MODEL	DRAWING NUMBER	REV
C	GM4050-60	30119-1	A
SCALE: 1:1	FILE NAME: 30119-1RA.DWG	SHEET 1 OF 1	

CONFIGURATION CODE: GM4050-60-03005811-346A

4

3

2