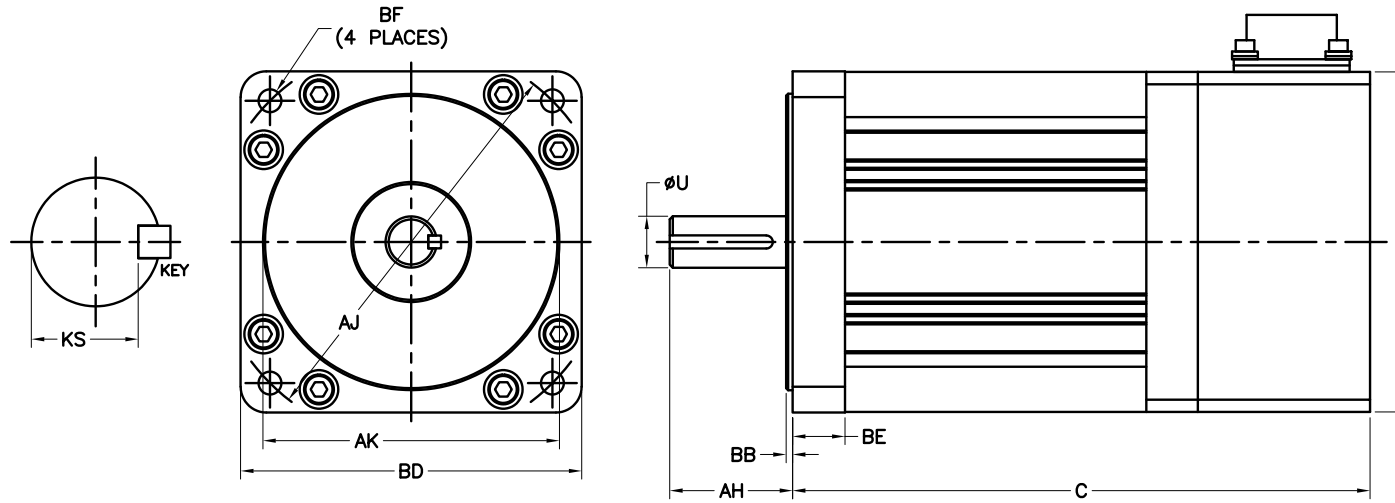


GLENTEK GMB3500 BRUSHLESS SERVO MOTOR DIMENSIONS



	Model Number	Kg (lbs.)	C (max)	P (max)	Shaft				Flange/Face				Mounting Hole		
					AH	U	KEY	KS	AK	BB	BD	BE	AJ	BF Ø	Tap
METRIC - mm	GMB3515-XXX-M	3.8 (8.4)	183.0 (7.2)	83.8 (3.30)	30.00 (1.18)	14.00 (0.551)	M5 SQ. X 20	10.9 - 11.0	80.00 (3.150)	3.00 (0.12)	89.00 (3.50)	11.5 (0.45)	100.00 (3.937)	7.00 (0.276)	THRU
	GMB3530-XXX-M	5.4 (11.9)	222.4 (8.8)	83.8 (3.30)	30.00 (1.18)	14.00 (0.551)	M5 SQ. X 20	10.9 - 11.0	80.00 (3.150)	3.00 (0.12)	89.00 (3.50)	11.5 (0.45)	100.00 (3.937)	7.00 (0.276)	THRU
	GMB3545-XXX-M	6.6 (14.5)	261.5 (10.3)	83.8 (3.30)	30.00 (1.18)	14.00 (0.551)	M5 SQ. X 20	10.9 - 11.0	80.00 (3.150)	3.00 (0.12)	89.00 (3.50)	11.5 (0.45)	100.00 (3.937)	7.00 (0.276)	THRU
ENGLISH - inches	GMB3515-XXX-E	8.4 (3.8)	7.20 (182.88)	3.30 (83.8)	1.19 (30.2)	0.4997 (12.69)	.125 SQ. X 1.00	.420 - .430	2.877 (73.08)	0.06 (1.52)	3.31 (84.07)	0.51 (12.95)	3.875 (98.43)	0.224 (5.69)	THRU
	GMB3530-XXX-E	11.9 (5.4)	8.75 (222.25)	3.30 (83.8)	1.19 (30.2)	0.4997 (12.69)	.125 SQ. X 1.00	.420 - .430	2.877 (73.08)	0.06 (1.52)	3.31 (84.07)	0.51 (12.95)	3.875 (98.43)	0.224 (5.69)	THRU
	GMB3545-XXX-E	14.5 (6.6)	10.29 (261.37)	3.30 (83.8)	1.19 (30.2)	0.4997 (12.69)	.125 SQ. X 1.00	.420 - .430	2.877 (73.08)	0.06 (1.52)	3.31 (84.07)	0.51 (12.95)	3.875 (98.43)	0.224 (5.69)	THRU
	NEMA 34				1.19 (30.2)	0.3750 (9.53)			2.877 (73.08)	0.06 (1.52)	3.42 (86.87)	0.51 (12.95)	3.875 (98.43)	0.224 (5.69)	THRU

NOTE: Metric and English motors are different models with differing dimensions.