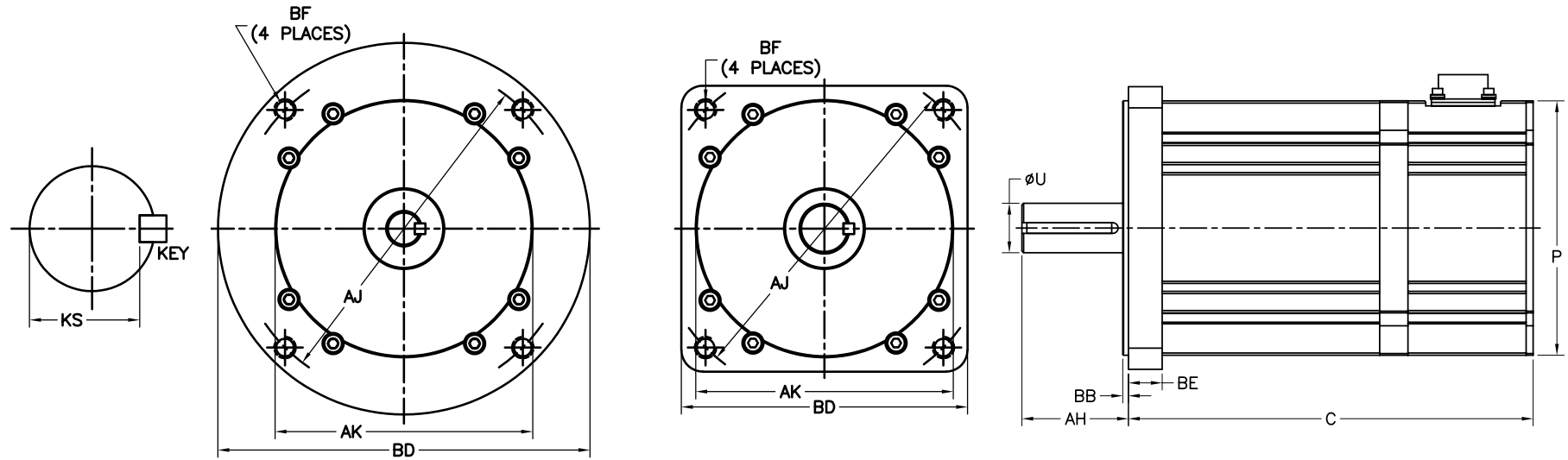


GLENTEK GMB4500 BRUSHLESS SERVO MOTOR DIMENSIONS



	Model Number	Kg (lbs.)	C (max)	P (max)	Shaft				Flange/Face				Mounting Hole		
					AH	U	KEY	KS	AK	BB	BD	BE	AJ	BF Ø	Tap
METRIC - mm (inches)	GMB4525-XXX-M	8.9 (19.6)	218.3 (8.6)	114.3 (4.50)	50.00 (1.97)	19.00 (0.748)	M6 SQ. X 40	15.4 - 15.5	110.00 (4.331)	3.00 (0.12)	114.30 (4.50)	14.7 (0.58)	130.00 (5.118)	9.19 (0.362)	THRU
	GMB4550-XXX-M	12.4 (27.3)	280.5 (11.0)	114.3 (4.50)	50.00 (1.97)	24.00 (0.945)	M8 X M7 X 38	19.8 - 20.0	110.00 (4.331)	3.00 (0.12)	114.30 (4.50)	14.7 (0.58)	130.00 (5.118)	9.19 (0.362)	THRU
	GMB4560-XXX-M	14.0 (30.8)	305.4 (12.0)	114.3 (4.50)	50.00 (1.97)	24.00 (0.945)	M8 X M7 X 38	19.8 - 20.0	110.00 (4.331)	3.00 (0.12)	114.30 (4.50)	14.7 (0.58)	130.00 (5.118)	9.19 (0.362)	THRU
	GMB4575-XXX-M	15.9 (35.0)	345.3 (13.6)	114.3 (4.50)	50.00 (1.97)	24.00 (0.945)	M8 X M7 X 38	19.8 - 20.0	110.00 (4.331)	3.00 (0.12)	114.30 (4.50)	14.7 (0.58)	130.00 (5.118)	9.19 (0.362)	THRU
ENGLISH - inches (mm)	GMB4525-XXX-E	19.6 (8.9)	8.59 (218.2)	4.50 (114.3)	1.88 (47.8)	0.6250 (15.88)	.188 SQ. X 1.50	.507 - .517	4.500 (114.30)	0.100 (2.54)	5.00 (127.0)	0.60 (15.24)	5.875 (149.23)		3/8-16 THRU
	GMB4550-XXX-E	27.3 (12.4)	11.04 (280.4)	4.50 (114.3)	1.88 (47.8)	0.8750 (22.23)	.188 SQ. X 1.50	.761 - .771	4.500 (114.30)	0.100 (2.54)	5.00 (127.0)	0.60 (15.24)	5.875 (149.23)		3/8-16 THRU
	GMB4560-XXX-E	31.0 (14.1)	12.02 (305.3)	4.50 (114.3)	1.88 (47.8)	0.8750 (22.23)	.188 SQ. X 1.50	.761 - .771	4.500 (114.30)	0.100 (2.54)	5.00 (127.0)	0.60 (15.24)	5.875 (149.23)		3/8-16 THRU
	GMB4575-XXX-E	35.0 (15.9)	13.59 (345.2)	4.50 (114.3)	1.88 (47.8)	0.8750 (22.23)	.188 SQ. X 1.50	.761 - .771	4.500 (114.30)	0.100 (2.54)	5.00 (127.0)	0.60 (15.24)	5.875 (149.23)		3/8-16 THRU
	NEMA 42				1.32 (33.5)	0.6250 (15.88)	.188 SQ. X 1.50	.507 - .517	2.188 (55.58)	0.10 (2.54)	4.50 (114.3)	0.60 (15.24)	4.950 (125.73)	0.300 (7.62)	THRU
	NEMA 56C				2.06 (52.3)	0.6250 (15.88)	.188 SQ. X 1.50	.507 - .517	4.500 (114.30)	0.12 (3.05)	6.50 (165.1)	0.61 (15.49)	5.875 (149.23)		3/8-16 THRU